

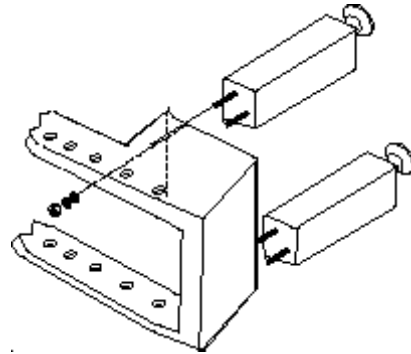
## Dynamo Coin-Op Soccer Table Assembly

Un-box the table and remove the legs, rods, and parts package. Unlock the drawer and remove it from the cabinet.

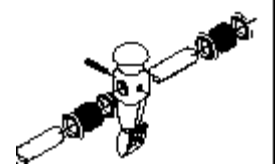
Roll the cabinet on to its back side. You will need to insert one leg at a time and secure them to the table using one 3/8 washer, lock washer, and 3/8 nut per bolt. After you have secured all 4 legs to the table, pick the unit up and place it into the upright position. If the table is in its designated spot where it is going to remain, it is easier to level it now. Line up all of the rods together. Take the silicone out of the parts pack and put a few drops on a small clean cloth. Rub the silicone on all of the rods, from the tip of the rod toward the handle. This will make the application of the parts much easier.

**NOTE:** You will find four 3-man rods, the shorter rods are the goalie rods.

Facing the drawer opening, insert a goalie rod (800127201) into the last hole on your left. When the rod is about a foot into the table start to put the parts on. First put on a black plastic washer (860125050), a foam bumper cushion (900100110), again with a plastic washer (860125050), 3 red men (860135006) with the Dynamo Logo facing the opposite goal (860135006), a black plastic washer (860125050), a foam bumper cushion (900100110), again with a plastic washer (860125050). Once you have on all of the parts push the rod the rest of the way through.



Facing the drawer opening, insert a two-man rod (800127202) into the next hole on your left. When the rod is about a foot into the table start to put the parts on. First put on a black plastic washer (860125050), a foam bumper cushion (900100110), again with a plastic washer (860125050), 2 red men (860135006) with the Dynamo Logo facing the opposite goal (860135006), a black plastic washer (860125050), a foam bumper cushion (900100110), again with a plastic washer (860125050). Once you have on all of the parts push the rod the rest of the way through.



Facing the drawer opening, insert a five-man rod (800127205) into the 4th hole from the left end. When the rod is about a foot into the table start to put the parts on. First put on a black plastic washer (860125050), a foam bumper cushion (900100110), again with a plastic washer (860125050), 5 red men (860135006) with the Dynamo Logo facing the opposite goal (860135006), a black plastic washer (860125050), a foam bumper cushion (900100110), again with a plastic washer (860125050). Once you have on all of the parts push the rod the rest of the way through.

Facing the drawer opening, insert a three-man rod (800127203) into the 3<sup>rd</sup> hole from the right end. When the rod is about a foot into the table start to put the parts on. First put on a black plastic washer (860125050), a foam bumper cushion (900100110), again with a plastic washer (860125050), 3 red men (860135006) with the Dynamo Logo facing the opposite goal (860135006), a black plastic washer (860125050), a foam bumper cushion (900100110), again with a plastic washer (860125050). Once you have on all of the parts push the rod the rest of the way through.

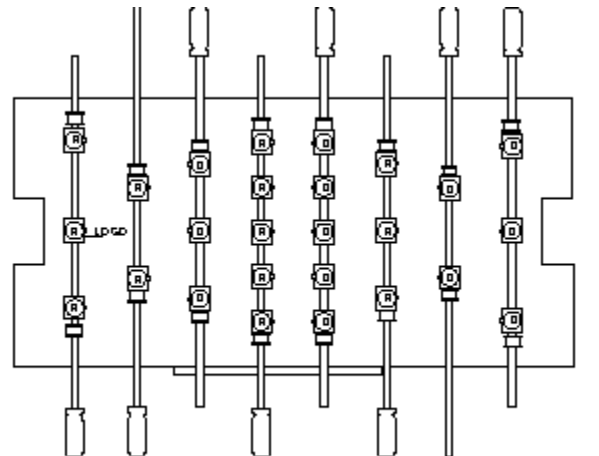
Facing the back sidewall insert a goalie rod (800127201) into the last hole on your left. When the rod is about a foot into the table start to put the parts on. First put on a black plastic washer (860125050), a foam bumper cushion (900100110), again with a plastic washer (860125050), 3 blue men (860135011) with the Dynamo Logo facing the opposite goal (860135006), a black plastic washer (860125050), a foam bumper cushion (900100110), again with a plastic washer (860125050). Once you have on all of the parts push the rod the rest of the way through.

Facing the back sidewall insert a two-man rod (800127202) into the 2<sup>nd</sup> hole from the left end. When the rod is about a foot into the table start to put the parts on. First put on a black plastic washer (860125050), a foam bumper cushion (900100110), again with a plastic washer (860125050), 2 blue men (860135011) with the Dynamo Logo facing the opposite goal (860135006), a black plastic washer (860125050), a foam bumper cushion (900100110), again with a plastic washer (860125050). Once you have on all of the parts push the rod the rest of the way through.

Facing the back sidewall insert a five-man rod (800127205) into the 4th hole from the left end. When the rod is about a foot into the table start to put the parts on. First put on a black plastic washer (860125050), a foam bumper cushion (900100110), again with a plastic washer (860125050), 5 blue men (860135011) with the Dynamo Logo facing the opposite goal (860135006), a black plastic washer (860125050), a foam bumper cushion (900100110), again with a plastic washer (860125050). Once you have on all of the parts push the rod the rest of the way through.

Facing the back sidewall insert a three-man rod (800127203) into the 3<sup>rd</sup> hole from the right end. When the rod is about a foot into the table start to put the parts on. First put on a black plastic washer (860125050), a foam bumper cushion (900100110), again with a plastic washer (860125050), 3 blue men (860135011) with the Dynamo Logo facing the opposite goal (860135006), a black plastic washer (860125050), a foam bumper cushion (900100110), again with a plastic washer (860125050). Once you have on all of the parts push the rod the rest of the way through.

Use the diagram below as a reference



PLEASE NOTE: In the above diagram, B = Blue men, R = Red men.

Now that you have all of the parts on the rods please check the following things before you start to insert the roll pins into the men.

- Are all of the men facing the correct direction?
- Are the men on the correct rods as to the diagram on page 2?
- Do you have all of the cushions and washers on each rod?

The reason it is so important to check these things is that the roll pins can only be used one time.

Now that you have checked all of the above, line the men over the holes on the rods and insert the roll pins (879900152). We suggest that you start at one of the goalie rod and work forward one rod at a time. It is also important to start with a man closest to the one wall and work towards the other wall of the cabinet. It is all too easy to miss a pin and find that you have a man stuck between to men that you have already attached.

You should have 2 rods, 5 red disks, 5 blue disks, 4 mounting brackets and 4 screws.

**On each end of the table you will find two sets of holes about 4" apart.**

**To install the score post assemblies follow these steps. Install one of the rods into a mounting bracket, next install 4 red disks and then one blue disk onto the rod, insert the rod into the other mounting bracket.**

**Facing the drawer opening take the assembly to the left end of the table, and insert the mounting brackets post into the inside holes, and secure it with the mounting screws (870018210).**

**Install one of the rods into a mounting bracket, next install 4 blue disks and then one red disk onto the rod, insert the rod into the other mounting bracket.**

**Facing the drawer opening take the assembly to the right end of the table, and insert the mounting brackets post into the inside holes, and secure it with the mounting screws (870018210).**

**Next install the coin mech into the drawer assembly, from the inside wall use the four mounting machine screws to secure the mech to the drawer.**

**Reinstall the drawer into the cabinet and load the balls.**

**Last but not least start on one side of the table and pull the rods to yourself as far as they will come. On the outside of the cabinet put a drop or two of the silicone on top of the rods, reach over and put a drop or two about an inch from the other side wall and spin the rod as you push it back and forth a few times into the table. Wipe off the rods as soon as you finish, so that the silicone will not drip onto the playfield. If it does, the balls will roll through it and cause them to pick up any dust or ashes on the field.**

**You're done  
Enjoy the game!**

## Parts list

<b>Part number</b>	<b>Description</b>	<b>Quantity per table</b>
800127201	Rod 3 hole Goalie, (Shorter)	2
800127202	Rod 2 hole	2
800127203	Rod 3 hole, 3rd position (Longer)	2
800127205	Rod 5 hole	2
860127200	Legs	4
860135006	Soccer man, Red	13
860135011	Soccer man, Blue	13
980100100	Soccer balls, Yellow Urethane	12
860125050	Plastic washers, 4 per rod	32
900100110	Rubber Cushions	16
980200400	Silicon lube, bottle	1
870011231	MS 10-32 X 1" Push chute mounting	4
879900155	Roll Pin Punch	1
890000170	Push Chute \$0.50	1
<b>Men Fasteners</b>		
879900152	Roll Pin 3/16 X 1 1/4	27
<b>Leg Mounting Hardware</b>		
870050107	Flat washer, 3/8"	9
870051107	Lock washer 3/8"	9
870053107	Nut, 3/8"	9
<b>Common parts not listed above</b>		
710100401	Score post assy	1
870018210	Sms #8 X 1 3/4 Score assy mounting	4
830100115	Wooden Handles, attached to rods	8
879900152	Roll Pin , 3/16 X 1 1/4 for handles	8
890001400	leg leveler	4